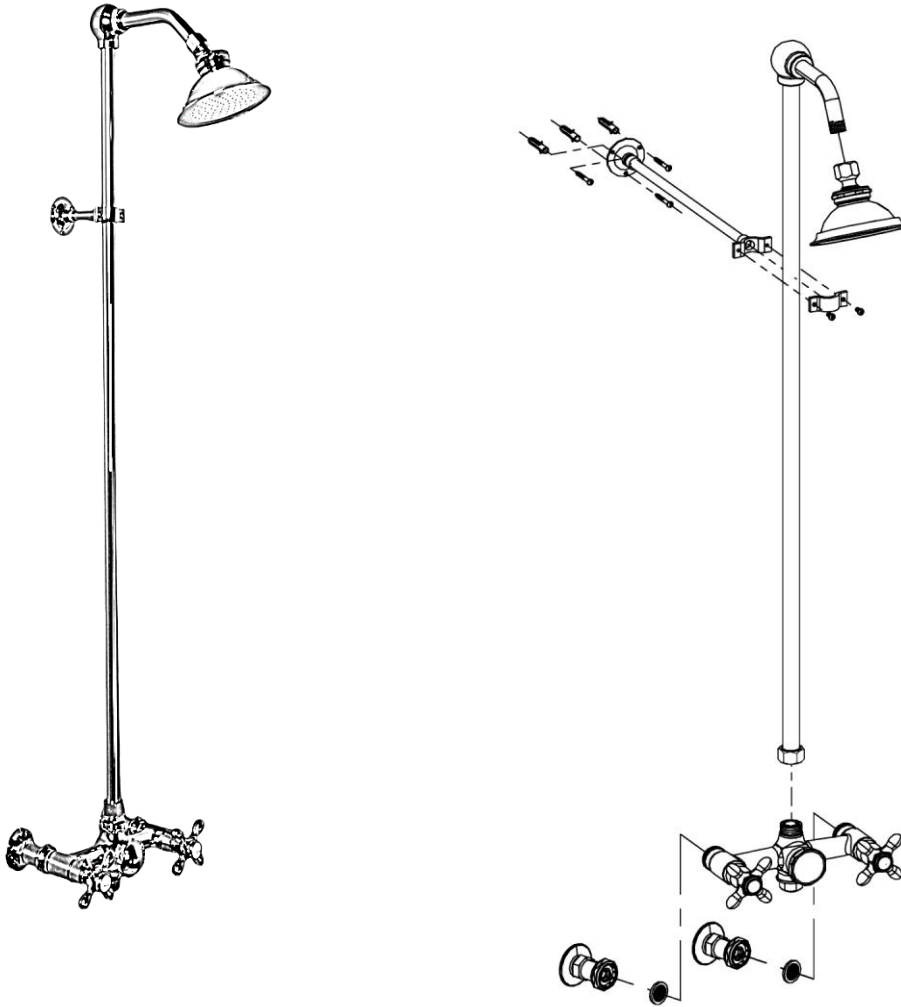


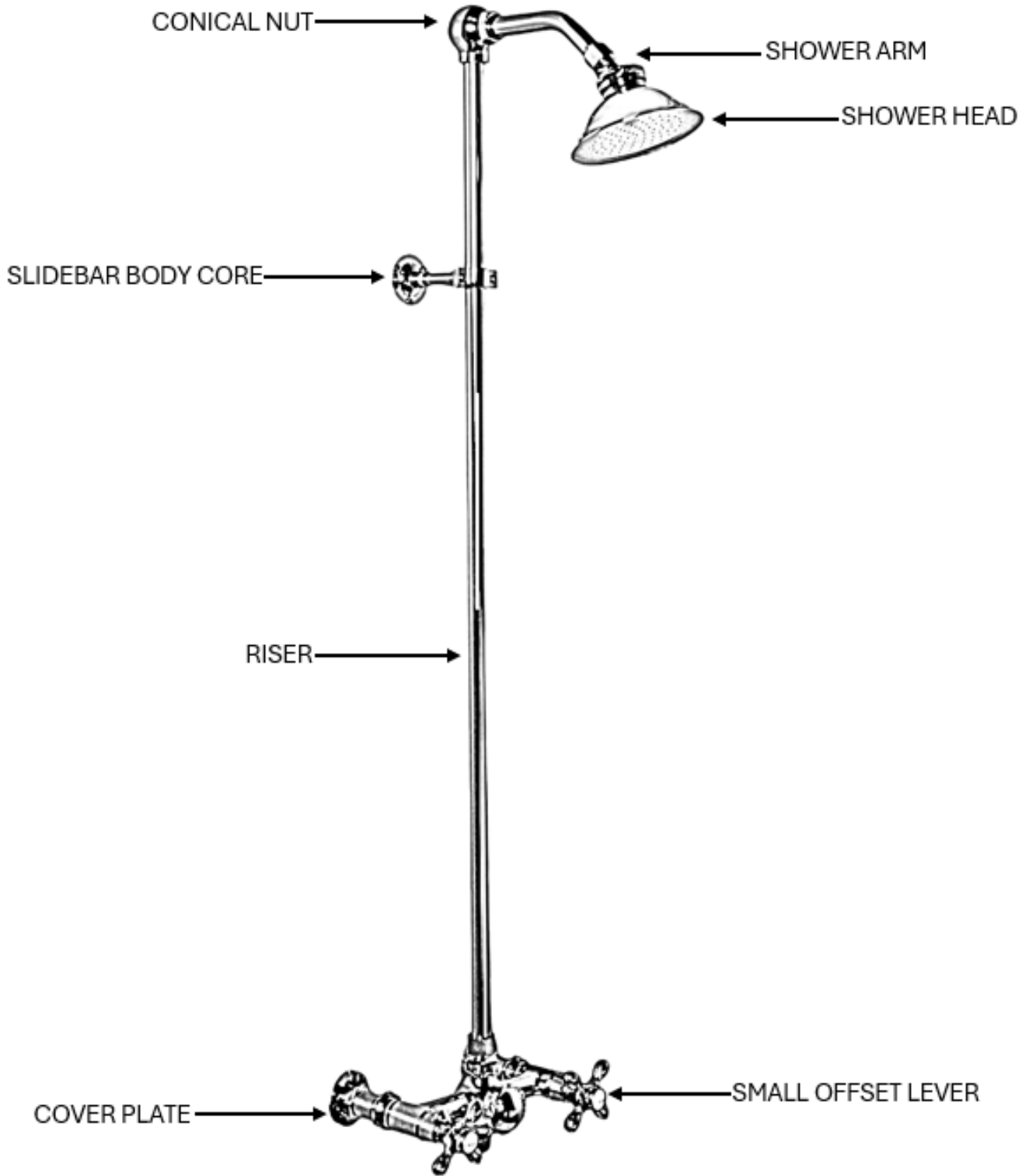
**Strom Living Exposed Shower System Wall Mounted Set****GUARANTEE & AFTERCARE**

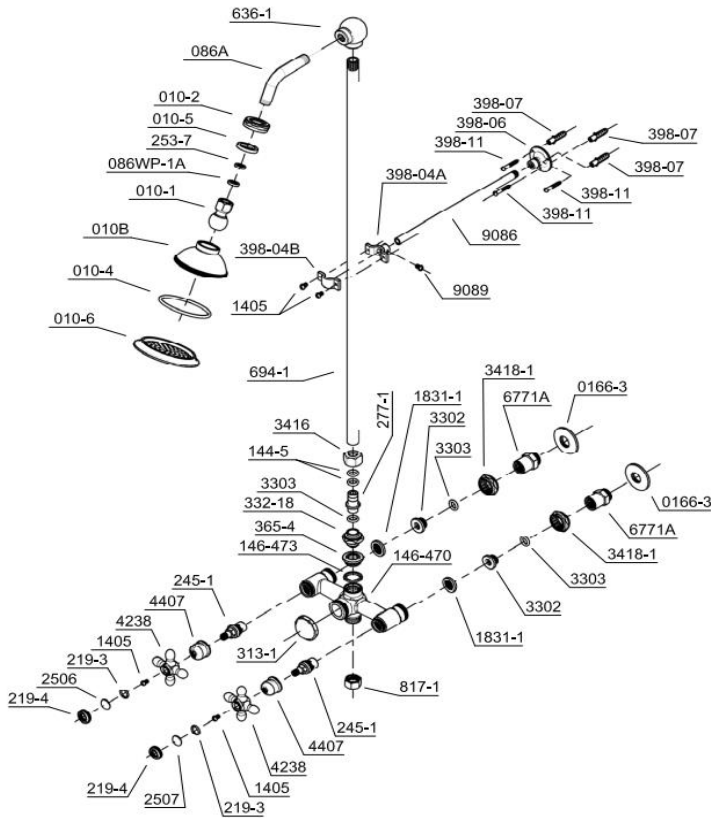
When installing or using tools, take care to avoid damaging the finish or fitting. Clean regularly with a soft damp cloth only to maintain appearance; avoid abrasive cleaners or detergents as they may cause surface damage. The company guarantees against faulty materials or manufacturing, excluding serviceable parts, if installed, cared for, and used according to our instructions.

**WATER SUPPLY REGULATIONS**

This product has been manufactured to comply with the relevant standards and conform to Water Supply Regulations.

COMPONENTS LIST





| BILL OF MATERIAL |          |                    |          |     |
|------------------|----------|--------------------|----------|-----|
| ITEM             | PT/ASSY  | DESCRIPTION        | TYPE     | QTY |
| 1                | 180-6    | Shower Head        | ASSEMBLY | 1   |
| 2                | 3416     | Locknut            | ASSEMBLY | 1   |
| 3                | 2014     | Escutcheon         | ASSEMBLY | 2   |
| 4                | 1414     | Screw              | ASSEMBLY | 2   |
| 5                | 086WP-1A | Brass Ferule       | ASSEMBLY | 1   |
| 6                | 694-1    | Riser Pipe         | ASSEMBLY | 1   |
| 7                | 149B     | Faucet Body        | ASSEMBLY | 1   |
| 8                | 398-06   | Wall Mount Bracket | ASSEMBLY | 1   |
| 9                | 180-2    | Rubber Flat Washer | ASSEMBLY | 1   |
| 10               | 398-04B  | POM Clip           | ASSEMBLY | 1   |
| 11               | 2113     | Handle-Hot         | ASSEMBLY | 2   |
| 12               | 0166-3   | Wall Flange        | ASSEMBLY | 2   |
| 13               | 6771A    | Comp nut           | ASSEMBLY | 2   |
| 14               | 3418-1   | Brass Ferule       | ASSEMBLY | 2   |

